

FO4 FA1 Series

Outdoor Full Color

Aluminum Module LED Display

Specification



KMTEKLED PHOTOELECTRICITY CO.LTD

Vision: Make the LED display more colorful, more intelligent, To be the leading brand in led screen industry.

Catalogue

Chapter 1 Product Introduction	2
Chapter 2 Structural Appearance	3
2.1 Module Pictures	3
2.2 Cabinet Pictures	3
2.3 Technical Parameters	4
2.4 Packing List	8
2.5 Power Supply Configuration Project	8
2.6 Accessories	8
Chapter 3 Interface Definition	9
3.1 Interface Picture (HUB75)	9
3.2 Interface Definition	9
Chapter 4 Installation	10
4.1 Kit Installation	10
4.2 Cabinet Installation	10
4.3 Cabinet structure	11
4.4 Display Installation	12
4.5 Networking Introduction	12
4.6 Installation Method	13
Chapter 5 User Manual	14
5.1 Notification	14
5.2 User Manual	14
5.3 Acceptance Request and Method	15
Chapter 6 Application Field	16

Chapter 1 Product Introduction

- **Four-level energy-saving technology**

Class I dynamic energy saving: when the signal is not displayed, turn off the driving circuit of the constant current tube chip;

Level II black screen energy saving: when the display screen is completely black, the static consumption current of the chip drops from 6mA to 0.6mA;

Level III full-screen energy saving: when the low level is maintained for 300ms, the static consumption current of the chip drops from 6mA to 0.5mA;

Class IV shunt power supply and step-down energy saving: the current first passes through the lamp bead, and then goes to the negative electrode of the IC, so that the forward voltage drop becomes smaller and the on-resistance becomes smaller.

- **Real color, more realistic picture**

The refresh rate is up to 3840Hz, the contrast ratio is up to 5000:1, and the grayscale is 14 bit. The SMD1921 LED lamp beads composed of red, green and blue have good consistency and the viewing angle can reach more than 140°.

- **Structure optimization, flexible installation**

It supports various installation methods such as floor-standing, hoisting, and wall-mounted, and front and rear maintenance to meet the needs of different customers.

- **Driving Project**

It has the function of list up and down hidden, high refreshing ratio, dark dot amended in first line, low grayscale amended, color cast and spot amended, etc.

- **Stable and high protection**

Outdoor application products, IP68 protection grade, low power consumption, low temperature rise, flame retardant and fireproof, good heat dissipation effect, no need to install air conditioners.

- **Stable and reliable performance**

Ultra-low temperature rise, low power consumption, low attenuation, and the good thermal conductivity of the aluminum module itself, make the heat dissipation effect of the whole screen better, no need to install air conditioners, high reliability and long service life.

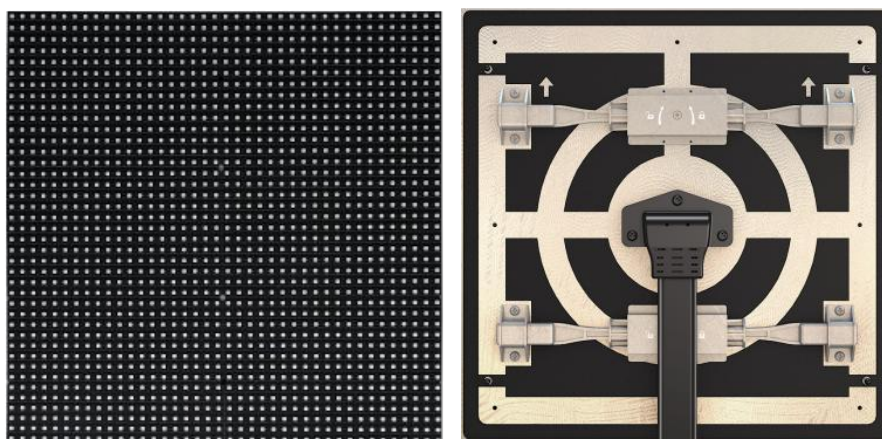
- **The standard Cabinet is 960*960*100mm, there are iron Cabinet and die-casting aluminum Cabinet for choice.**

Chapter 2 Structural Appearance

2.1 Module Pictures

(FO4 FA1 Series)

Picture 2-1 Die-cast aluminium modules(320*320*10mm)



2.2 Cabinet Pictures

Picture 2-2 iron cabinet(960*960*100mm)



2.3 Technical Parameters

Table 2-1 Technical Parameters (Common Cathode)

Item	FA6.67	FA8	FA10
Pixel Composition(SMD)	2727	2727	2727
Pixel Pitch(mm)	6.67	8	10
Module Resolution(W×H)	48×48	40×40	32×32
Module Size(mm)	320×320×10		
Module Weight(kg)	1.55		
Module Qty/Cabinet(W×H)	3×3		
Cabinet Resolution(W×H)	144×144	120×120	96×96
Cabinet Size(mm)	960×960×100		
Cabinet Area(m ²)	0.92		
Cabinet Weight(kg/cabinet)	35		
Cabinet Material	iron cabinet		
Cabinet Density (dot/m ²)	22500	15625	10000
IP Rating	IP65		
White Balance Brightness(nits)	≥5000	≥5000	≥6000
Color Processor(bit)	16		
Color Temperature(K)	6500-9000		
Visual Angle(H/V)	140°/ 120°		
Luminous point centre deviation	<3%		
Luminance uniformity	≥97%		
Chromaticity uniformity	Within ±0.003Cx, Cy		
Contrast Ratio	5000: 1		
The Max Power Consumption(W/m ²)	550	550	550
Average Power Consumption(W/m ²)	185	185	185
Input Voltage	AC100~240V		
Frequency(Hz)	50&60		
IC Driving(s)	1/6	1/5	1/2
Refreshing Ratio(Hz)	3840	3840	3840
Maintenance Method	Front and Rear		
Lifespan(hrs)	100,000		
Work Temperature/Humidity	-40℃-80℃/10%RH-98%RH (Non Condensing)		
Storage Temperature/Humidity	-20℃-60℃/10%RH-98%RH (Non Condensing)		

*Note: Maximum power consumption fluctuates by 10% depending on the batch of LED chips, and specifications are subject to change without notice.

Table 2-2 Technical Parameters (Common Anode)

Item	FA6.67	FA8	FA10
Pixel Composition(SMD)	2727	2727	2727
Pixel Pitch(mm)	6.67	8	10
Module Resolution(W×H)	48×48	40×40	32×32
Module Size(mm)	320×320×10		
Module Weight(kg)	1.55		
Module Qty/Cabinet(W×H)	3×3		
Cabinet Resolution(W×H)	144×144	120×120	96×96
Cabinet Size(mm)	960×960×100		
Cabinet Area(m ²)	0.92		
Cabinet Weight(kg/cabinet)	35		
Cabinet Material	iron cabinet		
Cabinet Density (dot/m ²)	22500	15625	10000
IP Rating	IP65		
White Balance Brightness(nits)	≥5000	≥5000	≥6000
Color Processor(bit)	16		
Color Temperature(K)	6500-9000		
Visual Angle(H/V)	140°/ 120°		
Luminous point centre deviation	<3%		
Luminance uniformity	≥97%		
Chromaticity uniformity	Within ±0.003Cx, Cy		
Contrast Ratio	5000: 1		
The Max Power Consumption(W/m ²)	830	738	918
Average Power Consumption(W/m ²)	290	258	320
Input Voltage	AC100~240V		
Frequency(Hz)	50&60		
IC Driving(s)	1/6	1/5	1/2
Refreshing Ratio(Hz)	1920	1920	1920
Maintenance Method	Front and Rear		
Lifespan(hrs)	100,000		
Work Temperature/Humidity	-40℃-80℃/10%RH-98%RH (Non Condensing)		
Storage Temperature/Humidity	-20℃-60℃/10%RH-98%RH (Non Condensing)		

*Note: Maximum power consumption fluctuates by 10% depending on the batch of LED chips, and specifications are subject to change without notice.

Table 2-3 Technical Parameters (Ultra-energy saving)

Item	FA6.67	FA8	FA10
Pixel Composition(SMD)	2727	2727	2727
Pixel Pitch(mm)	6.67	8	10
Module Resolution(W×H)	48×48	40×40	32×32
Module Size(mm)	320×320×10		
Module Weight(kg)	1.55		
Module Qty/Cabinet(W×H)	3×3		
Cabinet Resolution(W×H)	144×144	120×120	96×96
Cabinet Size(mm)	960×960×100		
Cabinet Area(m ²)	0.92		
Cabinet Weight(kg/cabinet)	35		
Cabinet Material	iron cabinet		
Cabinet Density (dot/m ²)	22500	15625	10000
IP Rating	IP65		
White Balance Brightness(nits)	≥5500	≥5000	6500
Color Processor(bit)	16		
Color Temperature(K)	6500-9000		
Visual Angle(H/V)	140°/ 120°		
Luminous point centre deviation	<3%		
Luminance uniformity	≥97%		
Chromaticity uniformity	Within ±0.003Cx, Cy		
Contrast Ratio	5000: 1		
The Max Power Consumption(W/m ²)	350	300	350
Average Power Consumption(W/m ²)	118	100	118
Input Voltage	AC100~240V		
Frequency(Hz)	50&60		
IC Driving(s)	1/6	1/5	1/2
Refreshing Ratio(Hz)	3840	3840	3840
Maintenance Method	Front and Rear		
Lifespan(hrs)	100,000		
Work Temperature/Humidity	-40℃-80℃/10%RH-98%RH (Non Condensing)		
Storage Temperature/Humidity	-20℃-60℃/10%RH-98%RH (Non Condensing)		

*Note: Maximum power consumption fluctuates by 10% depending on the batch of LED chips, and specifications are subject to change without notice.

Table 2-4 Technical Parameters (Super Brightness)

Item	FA6.67	FA8	FA10
Pixel Composition(SMD)	2727	2727	2727
Pixel Pitch(mm)	6.67	8	10
Module Resolution(W×H)	48×48	40×40	32×32
Module Size(mm)	320×320×10		
Module Weight(kg)	1.55		
Module Qty/Cabinet(W×H)	3×3		
Cabinet Resolution(W×H)	144×144	120×120	96×96
Cabinet Size(mm)	960×960×100		
Cabinet Area(m ²)	0.92		
Cabinet Weight(kg/cabinet)	35		
Cabinet Material	iron cabinet		
Cabinet Density (dot/m ²)	22500	15625	10000
IP Rating	IP65		
White Balance Brightness(nits)	9000	7500	9500
Color Processor(bit)	16		
Color Temperature(K)	6500-9000		
Visual Angle(H/V)	140°/ 120°		
Luminous point centre deviation	<3%		
Luminance uniformity	≥97%		
Chromaticity uniformity	Within ±0.003Cx, Cy		
Contrast Ratio	5000: 1		
The Max Power Consumption(W/m ²)	550	500	350
Average Power Consumption(W/m ²)	185	168	118
Input Voltage	AC100~240V		
Frequency(Hz)	50&60		
IC Driving(s)	1/6	1/5	1/2
Refreshing Ratio(Hz)	3840	3840	3840
Maintenance Method	Front and Rear		
Lifespan(hrs)	100,000		
Work Temperature/Humidity	-40℃-80℃/10%RH-98%RH (Non Condensing)		
Storage Temperature/Humidity	-20℃-60℃/10%RH-98%RH (Non Condensing)		

*Note: Maximum power consumption fluctuates by 10% depending on the batch of LED chips, and specifications are subject to change without notice.

2.4 Packing List

Table 2-5 Packing List

Packing List	Quantity	Unit
LED Display	1	Set
User Manual	1	pcs
Approved Certificate	1	pcs
Warranty Card	1	pcs
Construction Notification	1	pcs






2.5 Power Supply Configuration Project

Table 2-6 Supply Configuration Project

Power Supply	Configuration Project
300/400W Power Supply	Can load 4pcs modules

2.6 Accessories

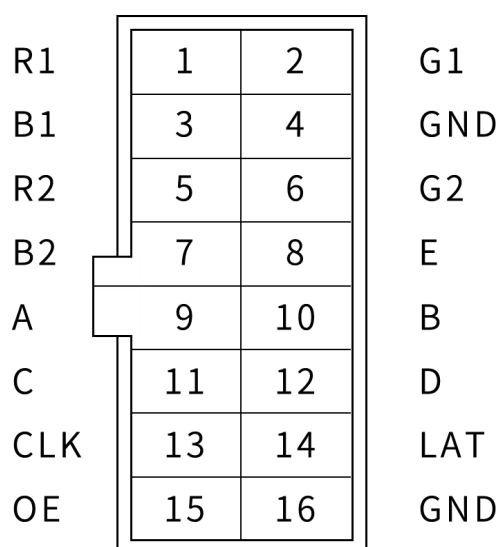
Table 2-7 Accessories List

Accessories		
		
Power Supply	Single Cable	Screws, connecting sheet, Sleeve Piece
		
Equipment for front and rear maintenance	Keys	

Chapter 3 Interface Definition

3.1 Interface Picture (HUB75)

Picture 3-1 Interface Picture (HUB75)



3.2 Interface Definition

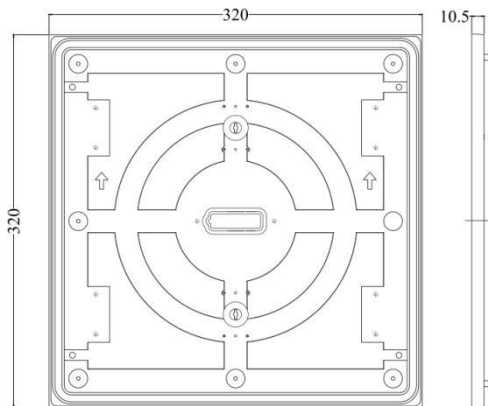
Table 3-1 Interface Definition

Pin	Signal	Function	Pin	Signal	Function
1	R1	Red Data Signal	2	G1	Green Data Signal
3	B1	Blue Data Signal	4	GND	Power Ground
5	R2	Red Data Signal	6	G2	Green Data Signal
7	B2	Blue Data Signal	8	E	Row Decoding Signal
9	A	Row Decoding Signal	10	B	Row Decoding Signal
11	C	Row Decoding Signal	12	D	Row Decoding Signal
13	CLK	Clock Signal	14	LAT	Latch Signal
15	OE	Enable Signal	16	GND	Power Ground

Chapter 4 Installation

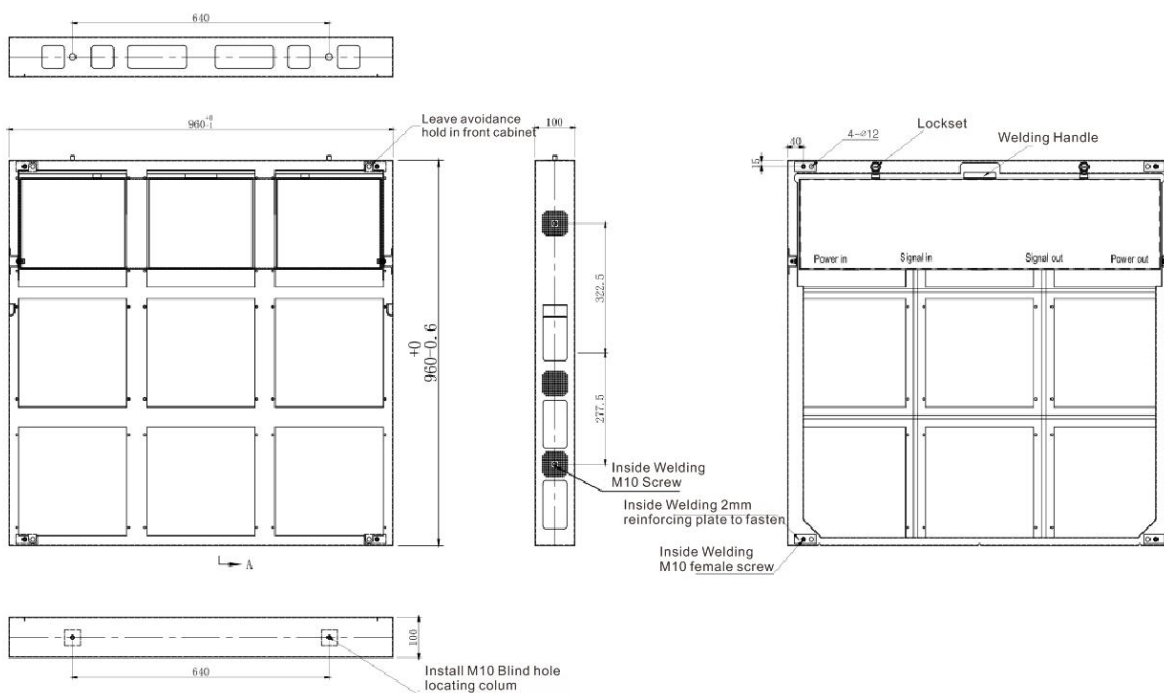
4.1 Kit Installation

Picture 4-1 Hole Installation Diagram for Kit



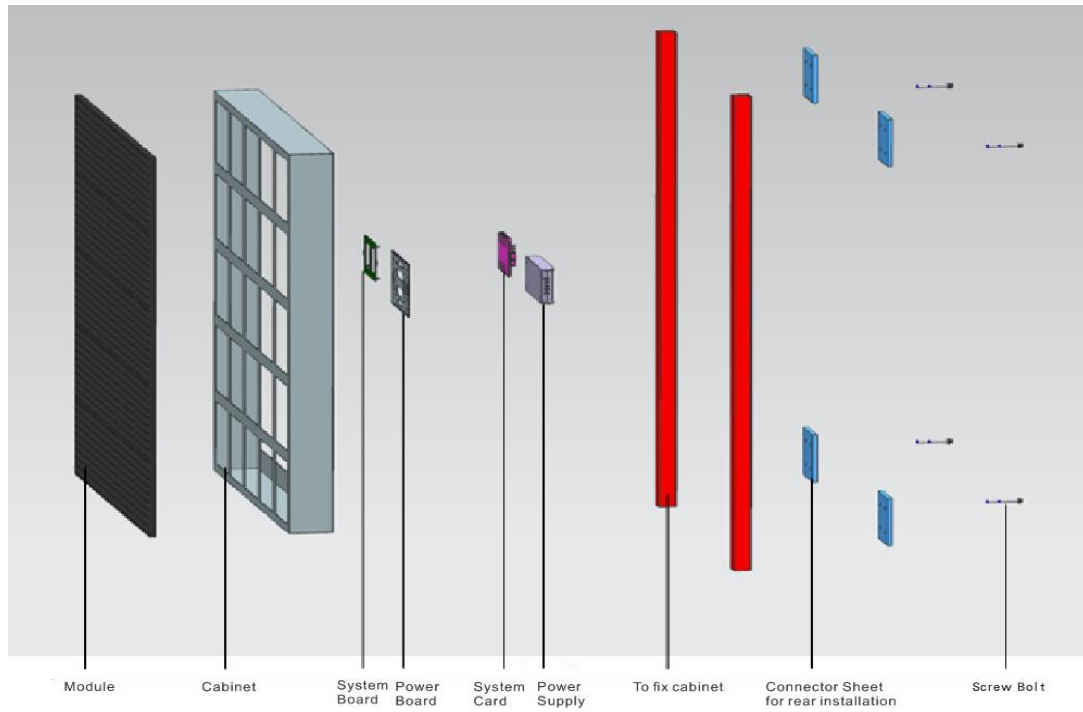
4.2 Cabinet Installation

Picture 4-2 Hole Installation Diagram for Kit

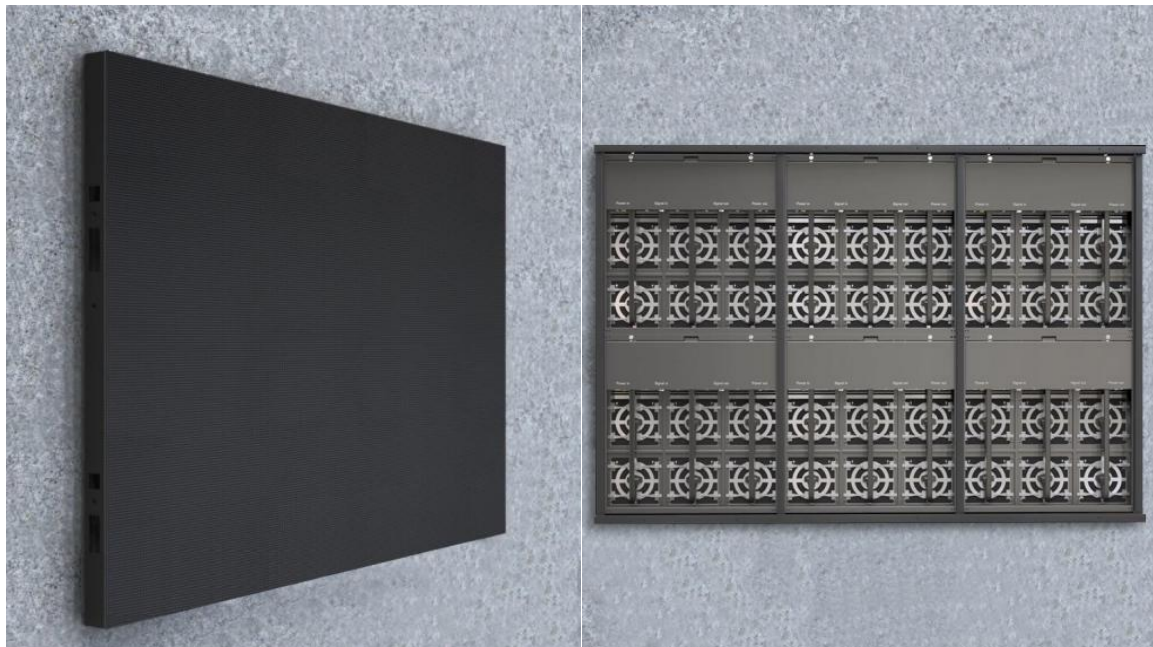


4.3 Cabinet structure

Picture 4-3 Components for Cabinet Installation

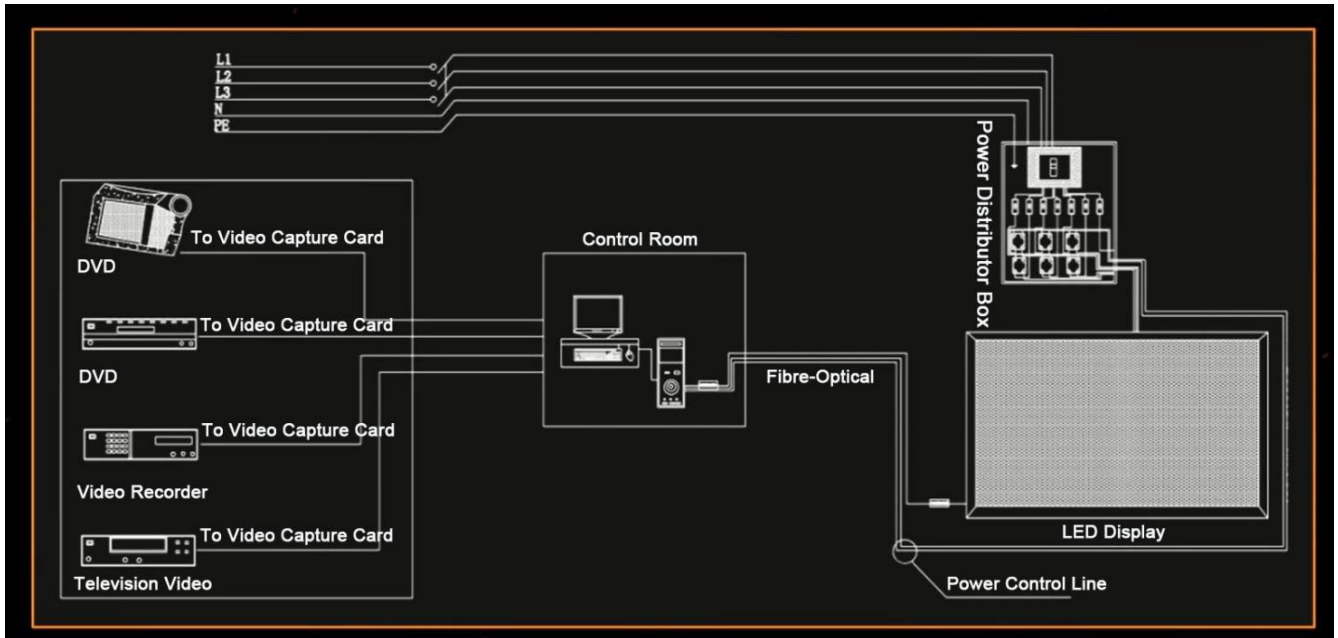


Picture 4-4 After finishing to install for cabinet



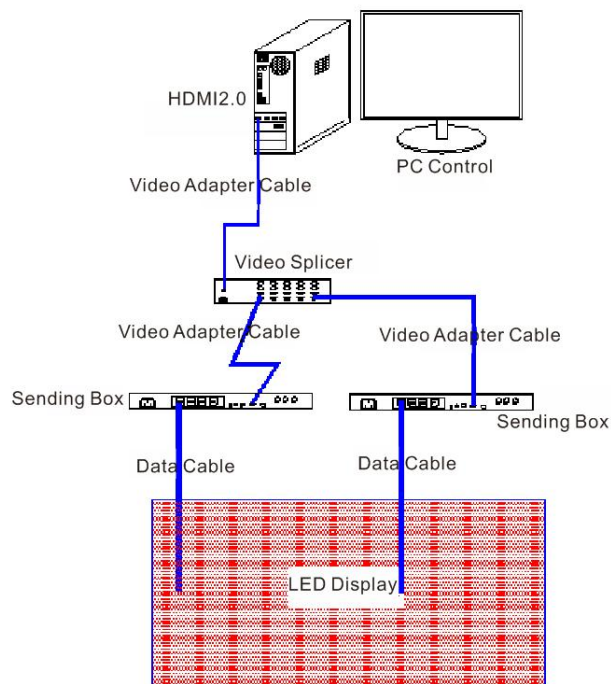
4.4 Display Installation

Picture 4-5 Diagram for Connection

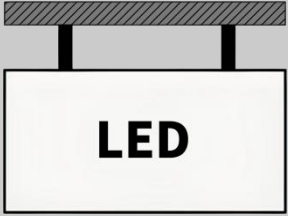
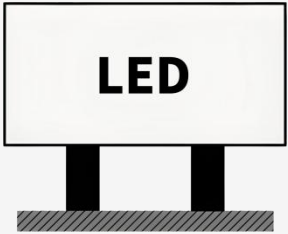
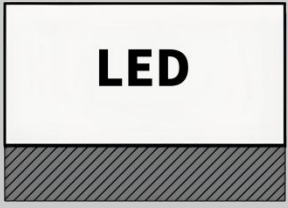
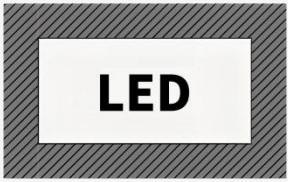
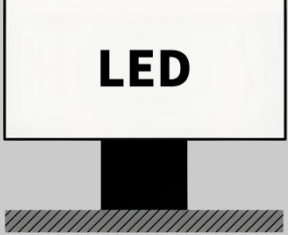
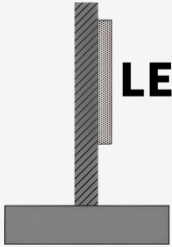


4.5 Networking Introduction

Picture 4-6 Topographic Picture for networking



4.6 Installation Method

Installation Type	Picture
Hanging Style	
Supporting Style	
Landing Style	
Inlaying Style	
Struting Style	
Wall-attaching Style	

Chapter 5 User Manual

5.1 Notification

Table 5-1 Notification

Item	Notification
Temperature	Keep the work temperature within $-10^{\circ}\text{C} \sim 50^{\circ}\text{C}$
Humidity	Keep the storage temperature within $-20^{\circ}\text{C} \sim 60^{\circ}\text{C}$
Waterproof	Keep the work humidity within $10\%RH \sim 98\%RH$
Dust-proof	Keep the storage humidity within $10\%RH \sim 98\%RH$
Anti-Electromagnetic radiation	IP66
Electrostatic Prevention	IP66
Temperature	LED display shouldn't put under the environment where has strong interference by electromagnetic radiation, which would be easy to picture display abnormal.
Humidity	It should be ground connected well for power supply, cabinet, mental cover of display body, the resistance of ground connection $< 10\Omega$, to avoid making any damage to electric components.

5.2 User Manual

Table 5-2 User Manual

Item	User Manual
Electrostatic Protection	The installer need wear electrostatic ring and electric gloves, each equipment should take ground connection well when installing.
Connection Type	There are positive and negative electrode silk printed on module, don't allow to reverse connect, and prohibit to connect with AC 220V.
Operate Type	Prohibit to assemble module, cabinet and whole of display under power on, operation should be under power off completely, to protect personal safety; Prohibit anyone to touch when the LED display is working, in case the static electricity which is generated by body to break through LED and other components.
Dismantle and Transportation	Don't allow to throw, push, compress module, to prevent module falling down, to avoid breaking kit, damage LED chips, etc.

Item	User Manual
Environmental Inspection	It should match temperature and humidity meter for LED display at installation site, to monitor its surrounding environment, so that it can find out if LED display being affected with damp, moisture, etc.
The Usage of LED display	<p>1.The environmental humidity should be 10%RH~65%RH, it is suggested to turn on LED display one time each day, normal to use above 4 hours each time, to remove its damp.</p> <p>2.When the environmental humidity is above 65%RH, it should make dehumidification to environment, and it is suggested to work LED display above 8h each day.</p> <p>3.When LED display has not turned on for a long time, it should preheat LED display to remove moisture before use, to avoid damage LED because of damp, the specific method: 20% brightness to work for 2h, 40% brightness to work for 2h, 60% brightness to work for 2h, 80% brightness to work for 2h, 100% brightness to work for 2h, by this to gradually increase its brightness.</p>

5.3 Acceptance Request and Method

Table 5-3 Acceptance Request and Method for LED display

Item	Acceptance Request and Method
Brightness of LED Display	Switch LED display to work as full brightness, use light-gun to measure the brightness of LED display within 10 minutes. When measuring its brightness, the light-gun need be vertical to LED display, to adjust the distance of light-gun and LED display, ensure the view window, black area, cover above 16 pixels, adjust focal length, to ensure LED chip being able to clearly view in eyepiece, then measure and record brightness data.
Visual Angle	<p>The one should stand on the angle of 140°, bottom angle 65°to LED display when making measurement, it is requested that LED display should not have obvious the problem of dark block.</p>

Chapter 6 Application Field

It is widely used for various of outdoor application fields, such as the exterior wall of building, Hanging Garden, Government Cultural Plaza, Bus Station, Vertical Advertising aside road, etc.



Zhengzhou University double-sided aluminum screen (220m²)



Jiangyin Gymnasium Aluminum Screen (280m²)

